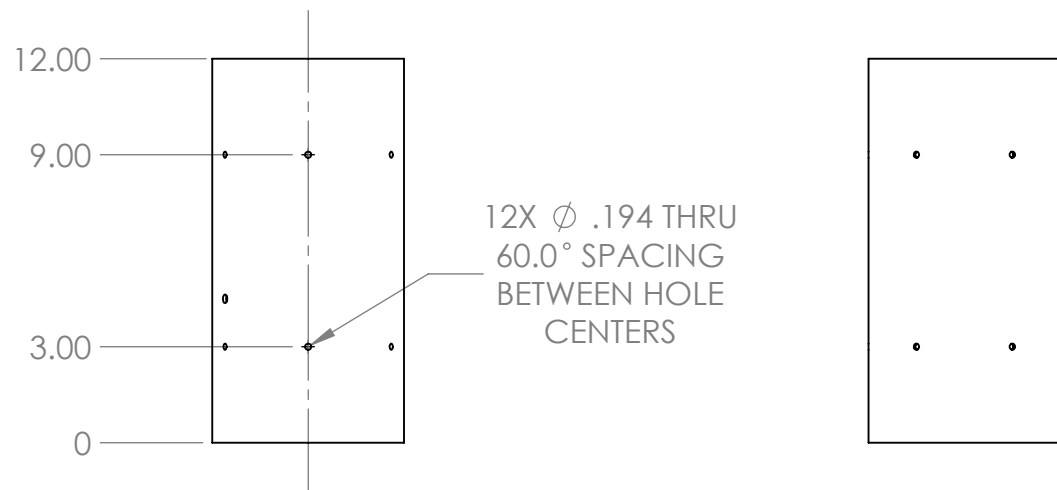
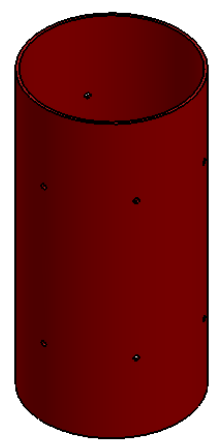
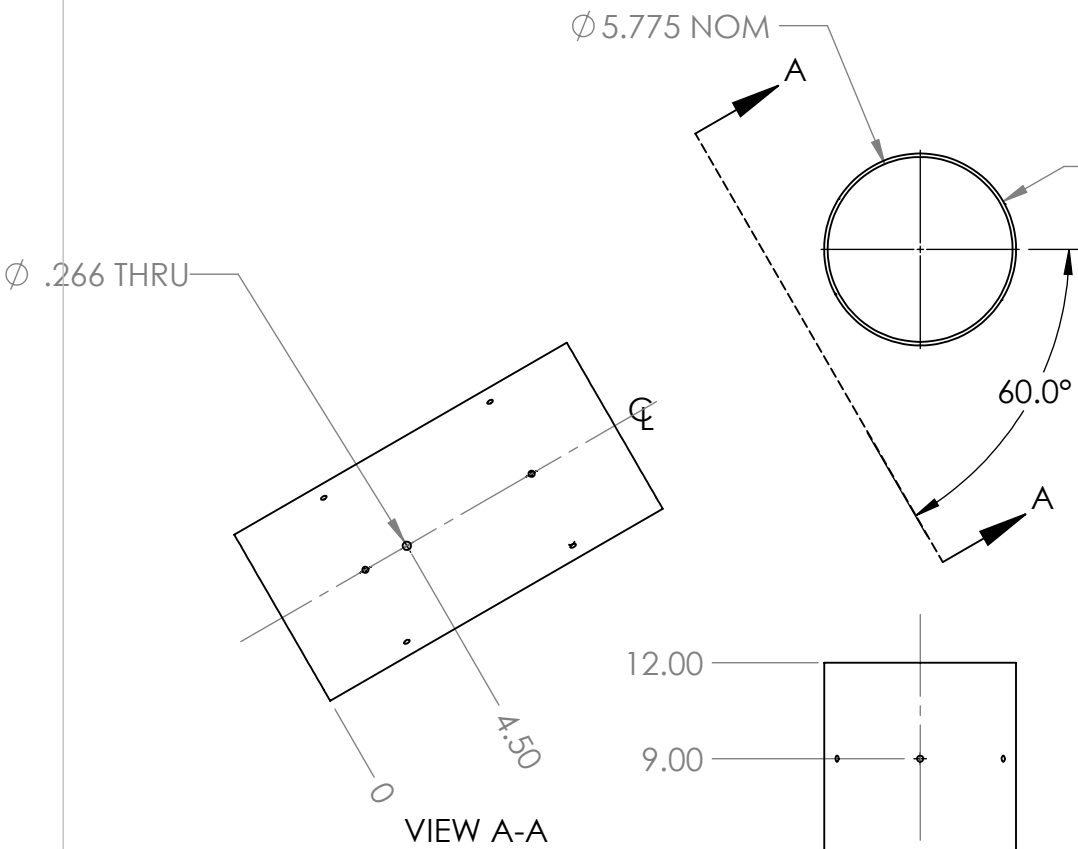


REVISIONS				
ZONE	REV.	DESCRIPTION	DATE	APPROVED
ALL	A	INITIAL RELEASE	4/23/2018	BEN STAAL



VIEW A-A

12X Ø .194 THRU
60.0° SPACING
BETWEEN HOLE
CENTERS

MATERIAL
G12 FIBERGLASS, MAD
COW SKU: SKU-
OB9231AE

FINISH

	NAME	DATE
DRAWN	BEN STAAL	4/23/2018
APPROVED	BEN STAAL	
UNLESS OTHERWISE SPECIFIED: DIMENSIONS ARE IN INCHES		
TOLERANCES: TWO PLACE DECIMAL: ±.01 THREE PLACE DECIMAL ±.005 ANGULAR: MACH ±.2° BEND ±.5°		
DO NOT SCALE DRAWING		

PROJECT: L3 CERT ROCKET		
TITLE: FIN CAN SECTION COUPLER		
SIZE A	DWG. NO. 1-010	REV A
SCALE: 1:6	WEIGHT: 1.90	SHEET 1 OF 1