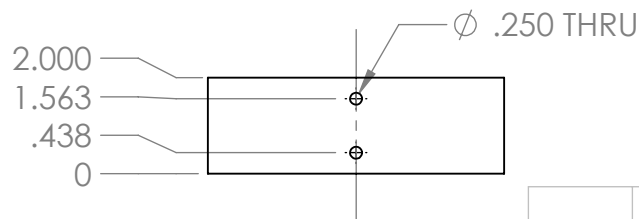
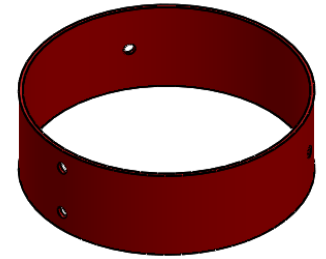
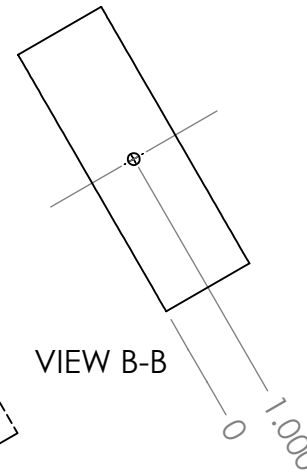
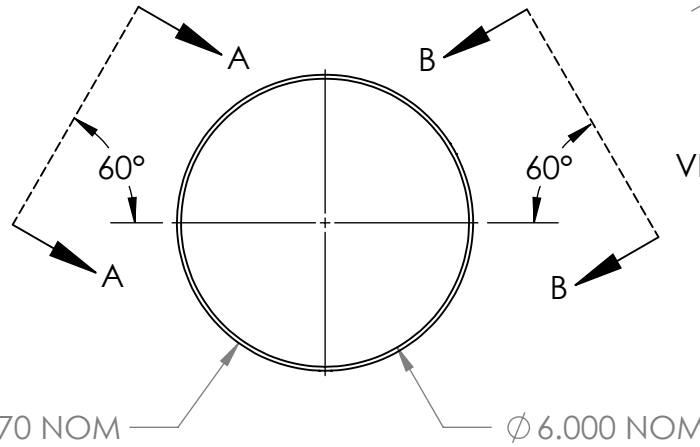
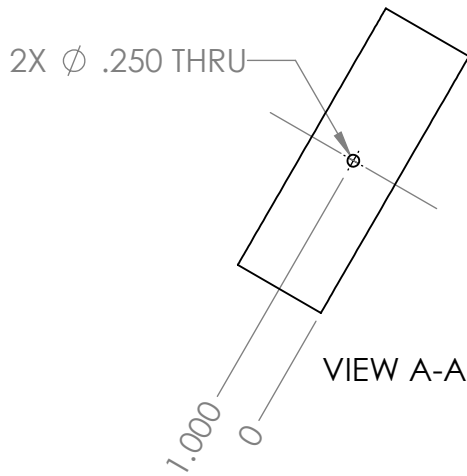


REVISIONS				
ZONE	REV.	DESCRIPTION	DATE	APPROVED
ALL	A	INITIAL RELEASE	4/26/2018	BEN STAAL



	NAME	DATE	PROJECT:	
DRAWN	BEN STAAL	4/26/2018	L3 CERT ROCKET	
APPROVED	BEN STAAL		TITLE:	
UNLESS OTHERWISE SPECIFIED: DIMENSIONS ARE IN INCHES			ELECTONICS BAY PORT BAND	
TOLERANCES: TWO PLACE DECIMAL: ±.01 THREE PLACE DECIMAL ±.005 ANGULAR: MACH ±.2° BEND ±.5°			SIZE	REV
MATERIAL G12 FIBERGLASS, MAD COW SKU: FT60-600-RED			DWG. NO.	A
FINISH			1-014	A
DO NOT SCALE DRAWING			SCALE: 1:4	WEIGHT: 0.25
			SHEET 1 OF 1	