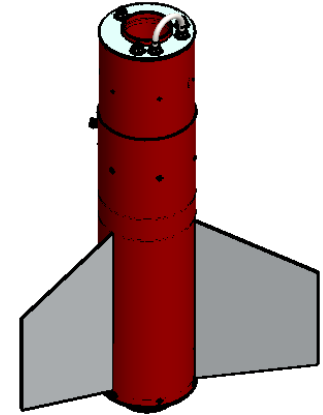
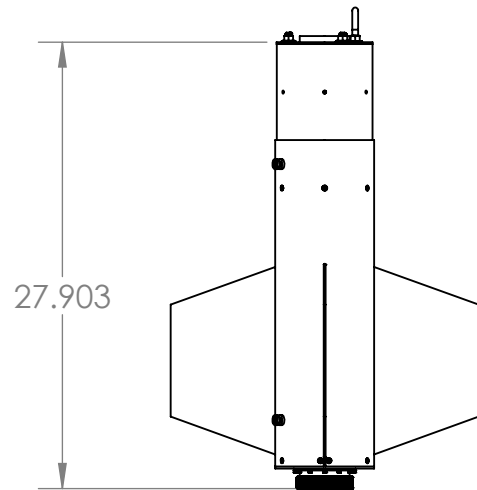
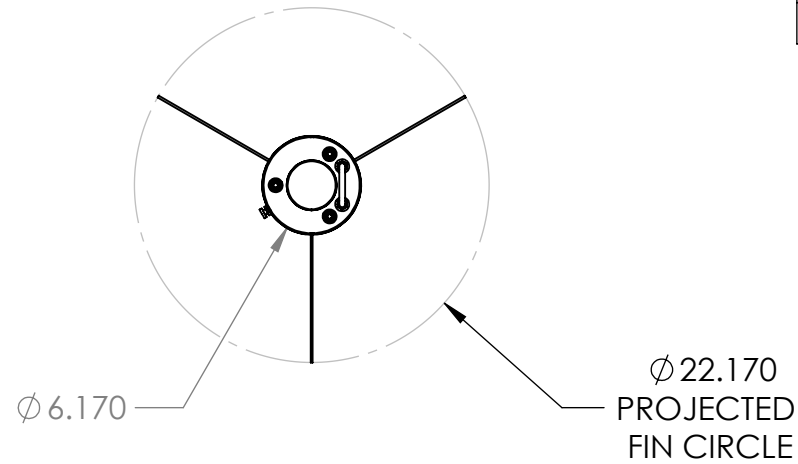


REVISIONS				
ZONE	REV.	DESCRIPTION	DATE	APPROVED
ALL	A	INITIAL RELEASE	7/10/2018	BEN STAAL



	NAME	DATE	PROJECT:	
DRAWN	BEN STAAL	7/10/2018	L3 CERT ROCKET	
APPROVED	BEN STAAL		TITLE:	
UNLESS OTHERWISE SPECIFIED: DIMENSIONS ARE IN INCHES			ASSEMBLY, FIN CAN SECTION	
TOLERANCES: TWO PLACE DECIMAL: $\pm .01$ THREE PLACE DECIMAL $\pm .005$ ANGULAR: MACH $\pm .2^\circ$ BEND $\pm .5^\circ$			SIZE	DWG. NO.
MATERIAL			A	0-001
FINISH				REV
				A
DO NOT SCALE DRAWING			SCALE: 1:12	WEIGHT:
				SHEET 1 OF 1

5

4

3

2

1