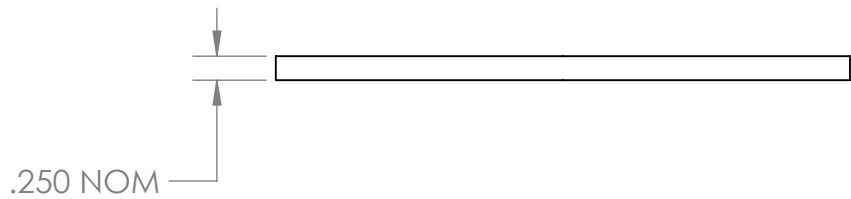
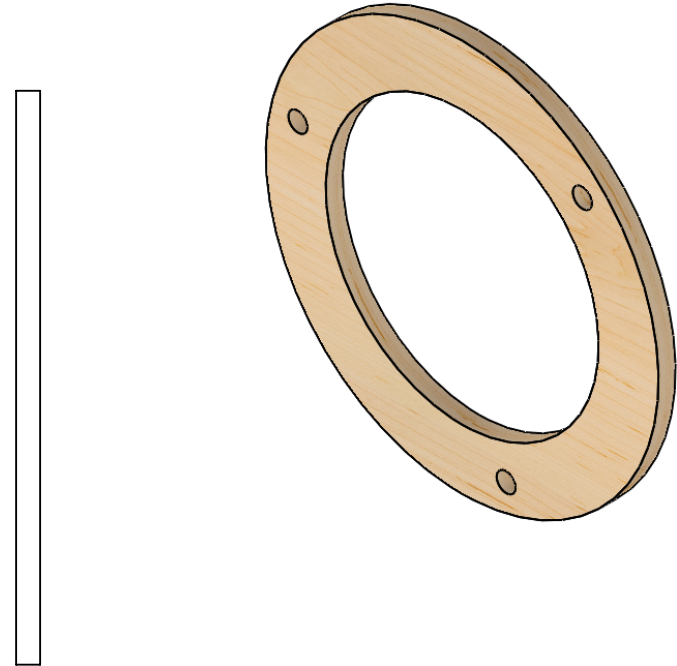
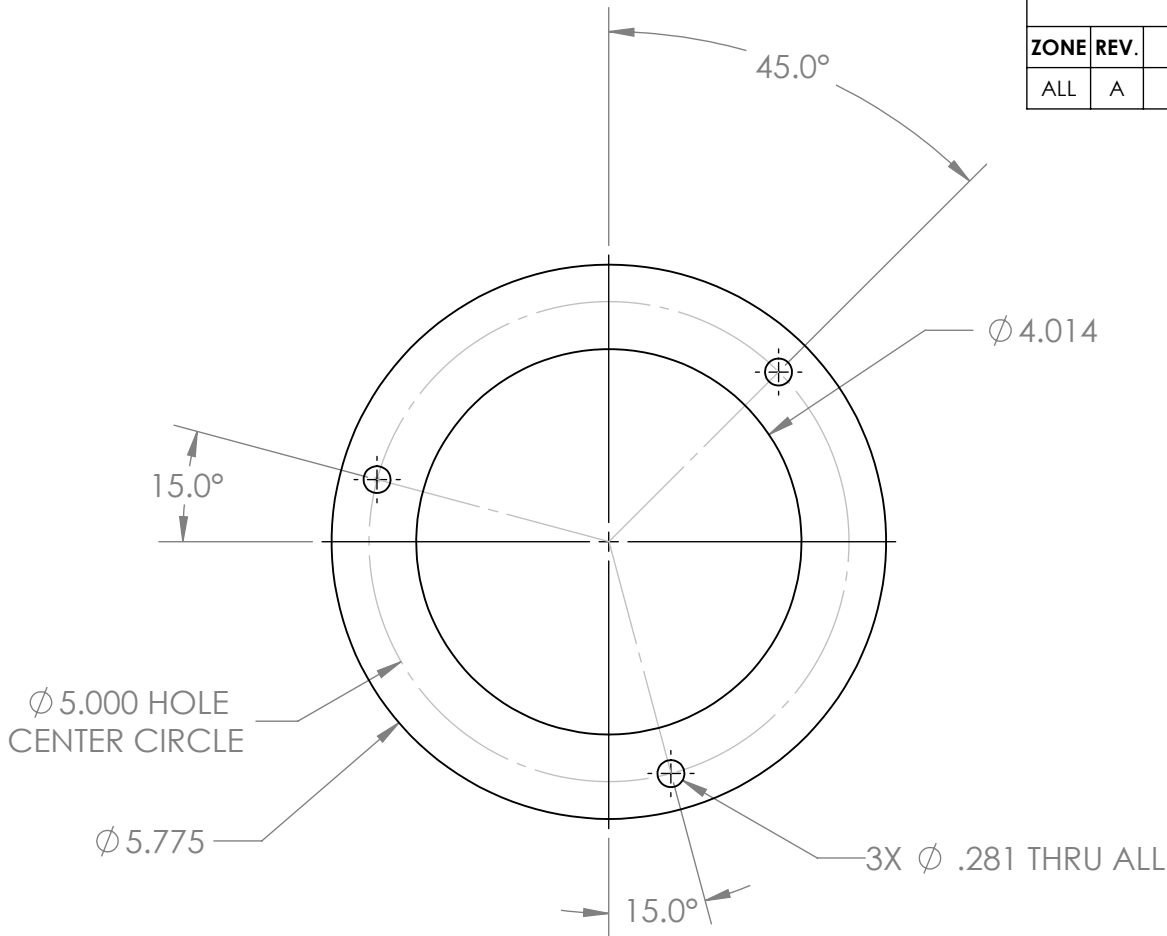


REVISIONS				
ZONE	REV.	DESCRIPTION	DATE	APPROVED
ALL	A	INITIAL RELEASE	4/29/2018	BEN STAAL



MATERIAL
PLYWOOD, APOGEE
PART NUMBER 13452

FINISH

	NAME	DATE
DRAWN	BEN STAAL	4/29/2018
APPROVED	BEN STAAL	

UNLESS OTHERWISE SPECIFIED:
DIMENSIONS ARE IN INCHES

TOLERANCES:
TWO PLACE DECIMAL: $\pm .01$
THREE PLACE DECIMAL $\pm .005$
ANGULAR:
MACH $\pm .2^\circ$ BEND $\pm .5^\circ$

DO NOT SCALE DRAWING

PROJECT:
L3 CERT ROCKET

TITLE:
**NOSE CONE INNER
CENTERING RING,
UPPER**

SIZE	DWG. NO.	REV
A	1-030	A

SCALE: 1:2 WEIGHT: 0.06 SHEET 1 OF 1